

Aladdin
Products

Essential Kit
for Plumbers!

EasyFit Isolator

Simply clamp-cut-isolate

Isolates live hot or cold pressurised pipe in minutes using just your battery drill, providing a full-bore quarter turn valve/permanent stopcock, with no need to restrict services, drain or freeze pipes.

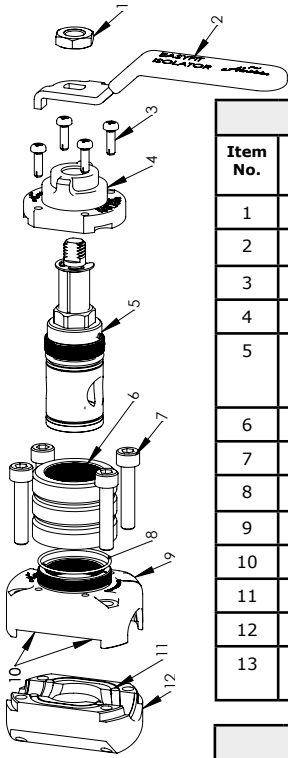
Suitable for commercial and domestic applications, already used in many hotels, hospitals, care homes, distribution centres, supermarkets, student accommodation, HMOs and social housing.



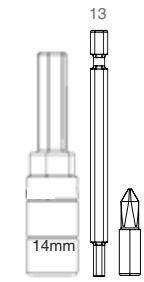
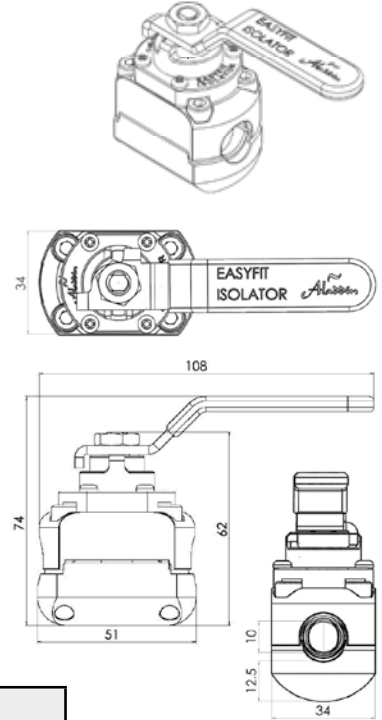
WRAS
APPROVED
PRODUCT

'WRAS approved Stopcock'

The quick-fit plumbing isolation valve for pressurised pipe

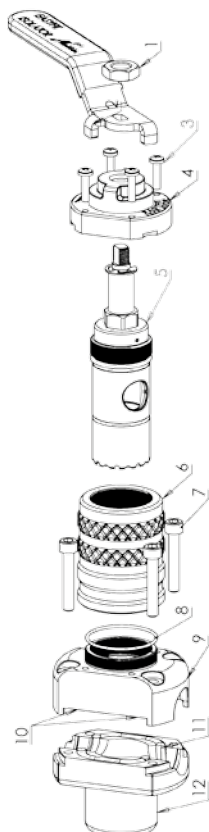
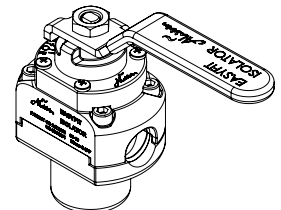


15mm - Aladdin EasyFit Isolator		
Item No.	Descriptions & Materials (WRAS Approved EPDM Seals)	No. Units
1	M8 x 1.25 Hex Half Nut (Stainless Steel)	1
2	Red and Blue Handle	2
3	M3 x 10 Pozi Pan - A2 SS Machine Screw	4
4	Nylon Cap	1
5	Plug Assembly - High Tensile Brass Plug CZ114, Boot EPDM Shore 70, O-ring 8mm id x 2cs Nitrile Shore 70, O-ring 19mm id x 1.5cs Nitrile Shore 70, Chrome Plated CZ114 Spindle, Polytube, Stainless Steel Circlip, D3 Tool Steel Blade.	1
6	Collar - Aluminium 2011 Disposable Collar	1
7	M5 x 25 Socket Cap Screws BZP	4
8	O-ring 25 id. X 1.0 cs. Nitrile Shore 70	1
9	Upper Housing 304 Stainless Steel	1
10	Half O-rings EPDM Shore 70	2
11	Lower Gasket EPDM Shore 70	1
12	Lower Housing 304 Stainless Steel	1
13	Tool Kit - Tool Steel Long Socket, Tool Steel Hex Socket Driver Bit, Tool Steel Pozi Driver Bit	1

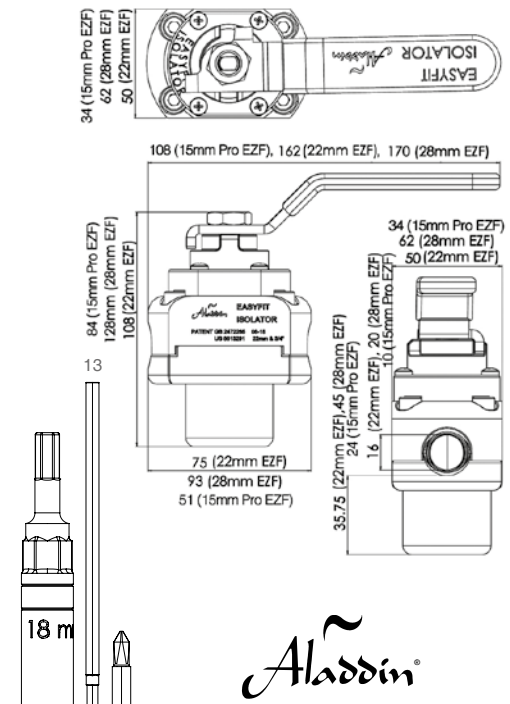


15mm/Imperial 1/2" Pro - Aladdin EasyFit Isolator		
Item No.	Descriptions & Materials (WRAS Approved EPDM Seals)	No. Units
1	M8 x 1.25 Hex Half Nut (Stainless Steel)	1
2	Red and Blue Handle	2
3	M3 x 10 Pozi Pan - A2 SS Machine Screw	4
4	Nylon Cap	1
5	Plug Assembly - High Tensile Brass Plug CZ114, Boot EPDM Shore 70, O-ring 8mm id x 2cs Nitrile Shore 70, O-ring 19mm id x 1.5cs Nitrile Shore 70, Chrome Plated CZ114 Spindle, Polytube, Stainless Steel Circlip, D3 Tool Steel Blade.	1
6	Collar - Aluminium 2011 Disposable Collar	1
7	M5 x 25 Socket Cap Screws BZP	4
8	O-ring 25 id. X 1.0 cs. Nitrile Shore 70	1
9	Upper Housing 304 Stainless Steel	1
10	Half O-rings EPDM Shore 70	2
11	Lower Gasket EPDM Shore 70	1
12	Lower Housing 304 Stainless Steel	1
13	Tool Kit - Tool Steel Long Socket, Tool Steel Hex Socket Driver Bit, Tool Steel Pozi Driver Bit	1

For the 15mm/Imperial 1/2" Pro measurement diagrams please refer to 22mm & 28mm diagrams.



22mm & 28mm - Aladdin EasyFit Isolator		
Item No.	Descriptions & Materials (WRAS Approved EPDM Seals)	No. Units
1	M10 x 1.5 Hex Half Nut (Stainless Steel)	1
2	Red and Blue Handle (304 Stainless Steel)	2
3	M4 x 16 Thread Forming Screws (22mm Model) M5 x 16 Thread Forming Screws (28mm model)	4
4	Nylon Cap	1
5	Plug Assembly - High Tensile Brass Plug CZ114, Nitrile Boot EPDM Shore 70, O-ring 10mm id x 3cs Nitrile Shore 70 (22mm Model), O-ring 30mm id x 2cs Nitrile Shore 70 - (22mm Model), O-ring 10mm id x 3cs Nitrile Shore 70 (28mm model), O-ring 37mm id x 2cs Nitrile Shore 70 - (28mm model), Chrome Plated CZ114 Spindle, Polytube, Stainless Steel Circlip, D3 Tool Steel Blade.	1
6	Collar - Aluminium 2011 Disposable Collar	1
7	M6 x 35mm Socket Cap Screws BZP M8 x 45mm Socket Cap Screws BZP	4
8	O-ring 37mm id x 1.5 Nitrile Shore 70 (22mm) O-ring 46mm id x 2 Nitrile Shore 70 (28mm)	1
9	Upper Housing 304 Stainless Steel	1
10	Half O-Ring Gaskets EPDM Shore 70	2
11	Lower Gasket EPDM Shore 70	1
12	Lower Housing 304 Stainless Steel	1
13	Tool Kit - Tool Steel Long Socket, Tool Steel Hex Socket Driver Bit, Tool Steel Pozi Driver Bit	1



Aladdin EasyFit Isolator Specification	Copper BS2871 - EN1057	Copper BS2871 - EN1057	Plastic - BS 7291
15mm (Range 14.7mm - 15.045mm) - Aladdin EasyFit Isolator - WRAS Approved			
Not suitable for imperial Cu pipe *See Pro range*	0.7mm wall thickness (type X)	1.0 mm wall thickness (type y)	
Max Operating Pressure	16 bar	16 bar	6 bar
Max Operating Temperature	85 deg. C	85 deg. C	82 deg. C
Manufacturers Warranty	10 yr	10 yr	5 yr
Pipe Size	15mm	15mm	15mm
Pipe Cutting Force	16 Nm	30 Nm	10 Nm
Max Static Pressure Installs at	16 bar	16 bar	10 bar
Max Dynamic Pressure Installs at	6 bar at 40 lit/min	6 bar at 40 lit/min	6 bar at 40 lit/min
15mm/Imperial 1/2" Pro (Range 14.7mm - 15.1mm) Aladdin EasyFit Isolator - WRAS Approved *Also suitable for BS695 Imperial pipe*			
Suitable for both imperial and metric Cu pipe.	Maximum 1.5mm wall	Maximum 1.5mm wall	
Max Operating Pressure	16 bar	16 bar	6 bar
Max Operating Temperature	85 deg. C	85 deg. C	82 deg. C
Manufacturer's Warranty	10 yr	10 yr	5 yr
Pipe Size	15mm	15mm	15mm
Pipe Cutting Force	8 Nm	10 Nm	6 Nm
Max Static Pressure Installs at	16 bar	16 bar	10 bar
Max Dynamic Pressure Installs at	6 bar at 40 lit/min	6 bar at 40 lit/min	6 bar at 40 lit/min
22mm & 3/4" (Range 21.5mm - 22.2mm) - Aladdin EasyFit Isolator - WRAS Approved *Also suitable for BS695 Imperial pipe*			
Suitable for both imperial and metric Cu pipe.	Maximum 1.5mm wall	Maximum 1.5mm wall	
Max Operating Pressure	16 bar	16 bar	6 bar
Max Operating Temperature	85 deg. C	85 deg. C	82 deg. C
Manufacturers Warranty	10 yr	10 yr	5 yr
Pipe Size	22mm & 3/4"	22mm	22mm
Pipe Cutting Force	30Nm	38Nm	20Nm
Max Static Pressure Installs at	16 bar	16 bar	10 bar
Max Dynamic Pressure Installs at	3 bar at 40 lit/min	3 bar at 40 lit/min	3 bar at 40 lit/min
28mm & 1" (Range 28.0mm - 28.6mm) - Aladdin EasyFit Isolator - WRAS Approved *Also suitable for BS695 Imperial pipe*			
Suitable for both imperial and metric Cu pipe.	Maximum 1.5mm wall	Maximum 1.5mm wall	
Max Operating Pressure	16 bar	16 bar	6 bar
Max Operating Temperature	85 deg. C	85 deg. C	82 deg. C
Manufacturers Warranty	10 yr	10 yr	5 yr
Pipe Size	28mm	28mm	28mm
Pipe Cutting force	38Nm	45Nm	30Nm
Max Static Pressure Installs at	16 bar	16 bar	10 bar
Max Dynamic Pressure Installs at	3 bar at 40 lit/min	3 bar at 40 lit/min	3 bar at 40 lit/min

	Carbon Steel – BS EN 10305
15mm (Range 14.7mm - 15.1mm) Aladdin EasyFit Isolator - WRAS Approved	
Suitable for metric Carbon Steel	Maximum 1.2mm wall
Max Operating Pressure	16 bar
Max Operating Temperature	85 deg. C
Manufacturers Warranty	10 yr
Pipe Size	15mm
Pipe Cutting Force	30 Nm
Max Static Pressure Installs at	16 bar
Max Dynamic Pressure Installs at	6 bar at 40 lit/min
22mm (Range 21.0mm - 22.2mm) Aladdin EasyFit Isolator - WRAS Approved	
Suitable for metric Carbon Steel	Maximum 1.2mm wall
Max Operating Pressure	16 bar
Max Operating Temperature	85 deg. C
Manufacturer's Warranty	10 yr
Pipe Size	22mm & 3/4"
Pipe Cutting Force	34 Nm
Max Static Pressure Installs at	16 bar
Max Dynamic Pressure Installs at	3 bar at 40 lit/min

	Carbon Steel – BS EN 10305
28mm (Range 27.0mm - 28.2mm) Aladdin EasyFit Isolator - WRAS Approved	
Suitable for metric Carbon Steel	Maximum 1.2mm wall
Max Operating Pressure	16 bar
Max Operating Temperature	85 deg. C
Manufacturer's Warranty	10 yr
Pipe Size	28mm
Pipe Cutting force	49 Nm
Max Static Pressure Installs at	16 bar
Max Dynamic Pressure Installs at	3 bar at 40 lit/min



Aladdin EasyFit Isolator

Shuts down live pipes in minutes



When to use the Aladdin EasyFit Isolator?

- As an emergency shut-off valve for leaking pipe-work.
- As an emergency isolator where the stopcock is seized or inaccessible.
- To isolate a heating system component for maintenance.
- To save time on cooling, draining down, refilling and returning to de-aerate.
- As an alternative to freezing, to save time and provide a permanent isolation option.
- In multi-occupancy buildings where water supply needs to be worked on without inconveniencing occupants.
- When isolation is required for any hot or cold water feed.
- As a "Greener" alternative to draining down, preventing wasted water and inhibitors being flushed into waterways.
- To allow isolation in areas of a building where none exists.
- To quickly isolate supply when pipes burst.



Installation Video



Royal London Hospital

Installation of the Da Vinci Machine Robot Arm Washer at the Royal London Hospital.

CSS Facilities was contracted to carry out the installation of the Da Vinci operating robot arm's washer within the CSSD Clean Room at the Royal London Hospital, part of the brief from Skanska was to minimise shut-down time of the whole department.

As with all working hospitals, when repair and maintenance work is necessary, it is vital that the department does not have to close or is only out of commission for as short a time as possible; this was particularly the case with this contract.

The project involved cutting in to, and branching off hot and cold feed pipes that could not be isolated as the nearest isolation point would have resulted in down time to the clean room facilities for sterilisation of hospital equipment. It was therefore essential that a product be sought that would allow the services to be closed off without shutting down water supplies to the clean room.

After searching the internet, we found Aladdin EasyFit Isolation Valves, the main benefit of using the Aladdin EasyFit isolators was to save time and that the work could be carried out without major planning around shut down times. Time savings were more important to the hospital and operations being carried; without using the EasyFit isolators, we would have needed to shut down the whole department. Shutting down a department like this, even for just a few hours, would have been very difficult to organise.

The Aladdin EasyFit Isolator is easy to use, it clamps directly onto live pressurised pipe (hot or cold), safely providing a full bore, permanent quarter turn isolation valve, with no need to restrict services, drain or freeze pipes.

Ian Pertion - CSS Facilities Director



Argos / DHL Distribution Centre

In a busy operation like the Stafford based DHL/Argos distribution centre, where services are running 24/7, even a minor operation like changing a washbasin hot tap requires a complete drain down.

In this instance, the pipework was poorly installed over 20 years ago with poor quality pipe and a mixture of compression and soldered joints, however the biggest complaint was the sheer lack of isolation valves. In addition, the existing gate valves had failed after approximately 15 years.

After testing and falling in love with the Aladdin EasyFit Isolator valves, we have been able to install suitable isolation in the key areas around the site easily.

The first isolator installed was in the busy workplace kitchen where the 15mm pipe feeding some equipment in the washup area had sprung a nasty leak, this was tricky as the kitchen was busy with Christmas lunches for over 600 colleagues. With no working isolation valves in place, coupled with a lack of space to reach the pipework adequately, we installed the Aladdin EasyFit isolation valve using the valve, tools provided and our 18v battery drill, within minutes we shut off the supply without having to drain down the system.

We've used many of the valves now and if you follow the instructions, they will perform as they should.

Stuart Boyd – Arcus Facilities Management



For more information visit:
www.aladdin-products.co.uk

Aladdin EasyFit Isolator Product Code:

15mm:
EZF03 Starter Pack (incl. Tool Kit)
EZF01 Refill Pack
EZF02 Tool Kit

22mm:
EZF06 Starter Pack (incl. Tool Kit)
EZF04 Refill Pack
EZF05 Tool Kit

28mm:
EZF09 Starter Pack (incl. Tool Kit)
EZF07 Refill Pack
EZF08 Tool Kit

15mm Pro:
EZF16 Starter Pack (incl. Tool Kit)
EZF17 Refill Pack
EZF15 Tool Kit

15mm Carbon Steel:
EZF19-CS Starter Pack (incl. Tool Kit)
EZF18-CS Refill Pack
EZF15 Tool Kit

22mm Carbon Steel:
EZF21-CS Starter Pack (incl. Tool Kit)
EZF20-CS Refill Pack
EZF05 Tool Kit

28mm Carbon Steel:
EZF23-CS Starter Pack (incl. Tool Kit)
EZF22-CS Refill Pack
EZF08 Tool Kit

Aladdin EasyFit Isolator Product Dimensions:

15mm: 74mm(H), 50mm(L), 34mm(D), 0.40Kg
22mm: 108mm(H), 75mm(L), 50mm(D), 1.23Kg
28mm: 128mm(H), 93mm(L), 62mm(D), 2.63Kg
15mm Pro: 84mm(H), 51mm(L), 34mm(D), 0.40Kg

Packaged Dimensions and Weight:

15mm:
EZF03: 140mm(H), 140mm(L), 40mm(D), 0.545Kg
EZF01: 140mm(H), 140mm(L), 40mm(D), 0.418Kg
EZF02: 90mm(H), 25mm(L), 25mm(D), 0.118Kg

22mm:
EZF06: 220mm(H), 220mm(L), 55mm (D), 1.460Kg
EZF04: 220mm(H), 220mm(L), 55mm (D), 1.250Kg
EZF05: 150mm(H), 30mm(L), 30mm (D), 0.235Kg

28mm:
EZF09: 220mm(H), 220mm(L), 55mm(D), 3.095Kg
EZF07: 220mm(H), 225mm(L), 55mm(D), 2.860Kg
EZF08: 150mm(H), 30mm(L), 30mm(D), 0.235Kg

15mm Pro:
EZF16: 140mm(H), 140mm(L), 40mm(D), 0.545Kg
EZF17: 140mm(H), 140mm(L), 40mm(D), 0.418Kg
EZF15: 102mm(H), 25mm(L), 25mm(D), 0.128Kg

Packaging Materials:

Cardboard Carton, Foam Insert,
Full Colour Folded Paper Instructions.

Aladdin EasyFit Isolator Approvals:

WRAS 1910312
KIWA 1909713

