

Essential Kit
for Plumbers!

Aladdin
Products

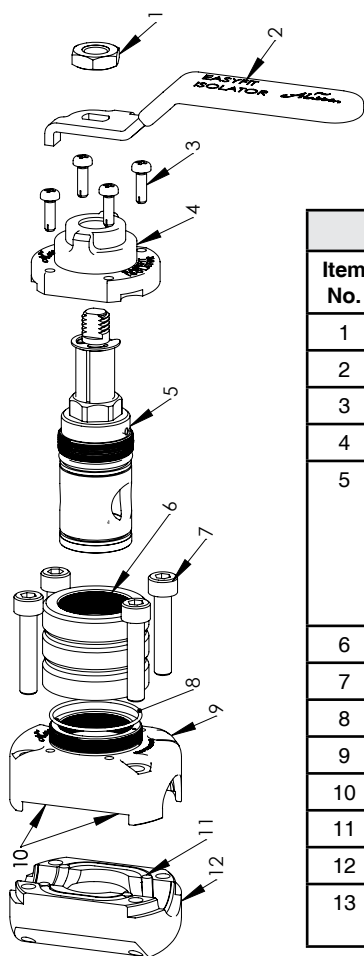
10 YEARS
GUARANTEE
Aladdin



Aladdin EasyFit Isolator 15mm (UK):

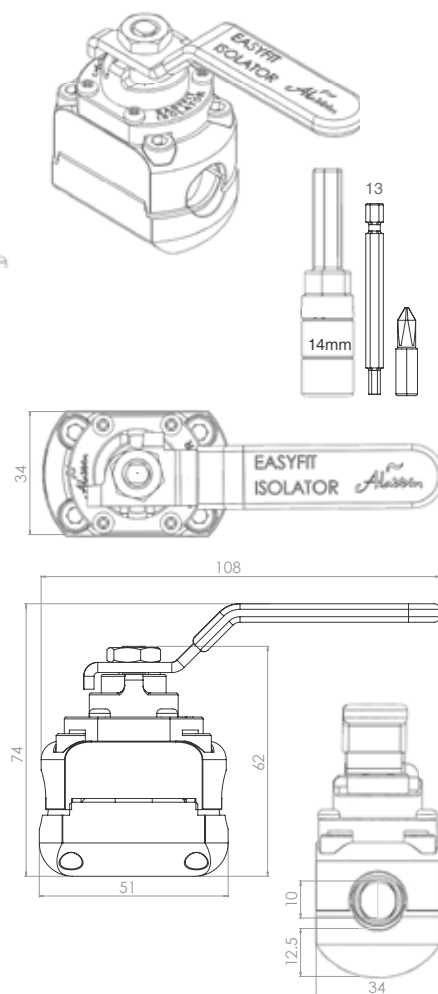
The Quick-fit Plumbing Isolation Valve for Pressurised Pipe

The Aladdin EasyFit Isolator clamps directly onto live pressurised pipe (hot or cold), safely providing a full bore, permanent stopcock, no need to restrict services or freeze pipes.



Not to be used on 1/2" Imperial Pipe - If pipe could be 1/2" the Pro model should be used

15mm (UK) Aladdin EasyFit Isolator		
Item No.	Descriptions & Materials (WRAS Approved EPDM Seals)	No. Units
1	M8* 1.25 Hex Half Nut (Stainless Steel)	1
2	Red and Blue Handle	2
3	M3 * 10 Pozo Pan - A2 SS Machine Screw	4
4	Polyacetal Plastic Cap	1
5	Plug Assembly - High Tensile Brass Plug CZ114 Boot EPDM Shore 70, O-ring 8mm id x 2cs Nitrile Shore 70, O-ring 19mm id x 1.5cs Nitrile Shore 70, Chrome Plated CZ114 Spindle, Polytube, Stainless Steel Circlip, D3 Tool Steel Blade.	1
6	Collar - Aluminium 2011 Disposable Collar	1
7	M5 * 25 Socket Cap Screws	4
8	O-ring 25 id. X 1.0 cs. Nitrile Shore 70	1
9	Upper Housing 304 Stainless Steel	1
10	Half O-rings EPDM Shore 70	2
11	Lower Gasket EPDM Shore 70	1
12	Lower Housing 304 Stainless Steel	1
13	Tool Kit - Tool Steel Long Socket, Tool Steel Hex Socket Driver Bit, Tool Steel Pozo Driver Bit	1



WRAS
APPROVED
PRODUCT



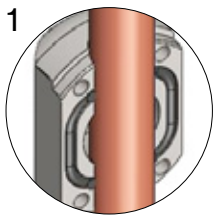
Aladdin EasyFit Isolator 15mm (UK): Pipe Specification

Not to be used on 1/2" Imperial Pipe - If pipe could be 1/2" the Pro model should be used
BS2871/EN1057 Metric Copper pipe (15mm suitable for a maximum wall thickness of 1mm)

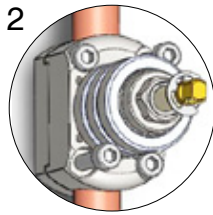
Aladdin EasyFit Isolator Specification	Copper BS2871 - EN1057	Copper BS2871 - EN1057	Plastic BS 7291
15mm (Range 14.7mm - 15.045mm) Aladdin EasyFit Isolator WRAS Approved - On Sale Now!			
	0.7mm wall thickness	1.0 mm wall thickness	
Max Operating Pressure	16 bar	16 bar	6 bar
Max Operating Temperature	85 deg. C	85 deg. C	82 deg. C
Manufacturers Warranty	10 yr	10 yr	5 yr
Pipe Size	15mm	15mm	15mm
Pipe Cutting Force	16 Nm	30 Nm	10 Nm
Max Static Pressure Installs at	16 bar	16 bar	10 bar
Max Dynamic Pressure Installs at	6 bar at 40 lit/min	6 bar at 40 lit/min	6 bar at 40 lit/min

EasyFit Isolator - Quick Guide

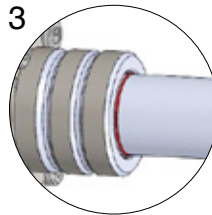
Read full instructions before installing (Enclosed with purchase)



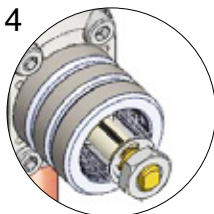
1 Rotate Lower Housing onto pipe



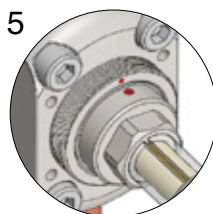
2 Clamp Housing using x 4 Bolts



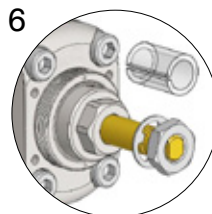
3 With Socket on Drill in low gear, drive down to Red Reference Line



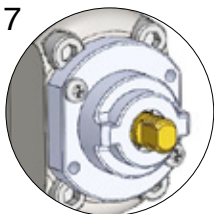
4 Remove Collar



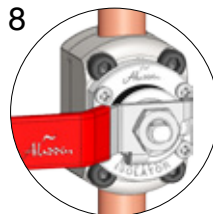
5 Align Red Dots



6 Remove Polytube (NOT CIRCLIP)



7 Fit Plastic Cap & Handle



8 Isolated!

Installation Video



Aladdin EasyFit Isolator 15mm

Product Code:

EZF03 Starter Pack includes Tool Kit
EZF01 Refill Pack
EZF02 Tool Kit

Aladdin EasyFit Isolator Approvals:

WRAS 1910312
KIWA 1909713

Aladdin EasyFit Isolator Product Dimensions:

63mm(H), 50mm(L), 34mm(D), 0.40Kg

Packaging Dimensions and Weight:

EZF03: 140mm(H), 140mm(L), 40mm(D), 0.545Kg
EZF01: 140mm(H), 140mm(L), 40mm(D), 0.418Kg
EZF02: 90mm(H), 25mm(L), 25mm(D), 0.118Kg

Packaging Materials:

Cardboard Carton, Foam Insert,
Full Colour Folded Paper Instructions.

SINGLE USE ONLY

MUST BE installed using the re-usable Aladdin Tool Kit

Essential Kit
for Plumbers!

